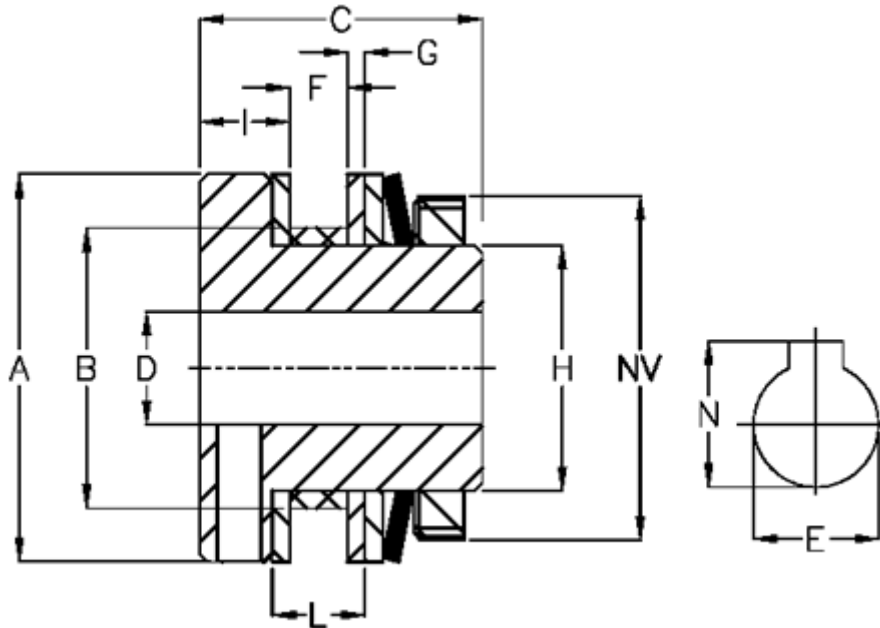


Article number: 4600105

Description: Securex torque limiter T 10/30

Measures



A = 30	L	= 6
B = 21	Largest possible bore with slot according to DIN 6885/1, E max	= 11
C = 31	Largest possible bore with slot according to DIN 6885/1, N	= 12.8
D = 4.5	Largest possible bore with slot according to DIN 6885/3, E max	= 12
F = 6	Largest possible bore with slot according to DIN 6885/3, N	= 13.4
G = 2.5	Max torque Nm	= 10
H = 18	Number of springs	= 2
I = 9	NV	= 27